



Internal Combustion Engine Counterbalance Truck

H20 – H35

Capacity 2.0 – 3.5 t | Series 1202

Robust Performer with All-Round Visibility

- Hydrostatic drive, dual pedal control and Linde Load Control enable efficient load handling
- Robust construction and maintenance-free components guarantee high truck availability
- Slim mast profiles, narrow A-pillar, lowered front plate and see through roof ensure outstanding visibility
- Wireless data transmission aids effortless integration into software systems, e.g. for fleet management.
- The truck's low center of gravity and intelligent assistance systems reduce the risk of tipping and loading accidents

TECHNICAL DATA (According to VDI 2198)

	Characteristics						
	1.1	Manufacturer	Linde	Linde	Linde	Linde	
	1.2	Model	H20 / 600 D	H25 D	H25 / 600 D	H30 D	
Characteristics	1.3	Power unit	Diesel	Diesel	Diesel	Diesel	
	1.4	Operation	Seat	Seat	Seat	Seat	
	1.5	Load capacity/Load	Q (t)	2	2.5	2.5	3
	1.6	Load centre distance	c (mm)	600	500	600	500
	1.8	Axle centre to fork face	x (mm)	416.50	416.50	455.50	448.50
	1.9	Wheelbase	y (mm)	1865	1905	1905	1930
	Weights	2.1	Service weight	(kg)	3738	3918	4480
2.2		Axle load with load, front/rear	(kg)	4916 / 822	5560 / 858	6001 / 979	6657 / 978
2.3		Axle load without load, front/rear	(kg)	1826 / 1912	1857 / 2061	2116 / 2364	2183 / 2452
Wheels/Tyres	3.1	Tyres rubber, SE, pneumatic, polyurethane	SE	SE	SE	SE	
	3.2	Tyre size, front	225 / 75 - 10 (23 × 9 - 10)	225 / 75 - 10 (23 × 9 - 10)	250 / 75 - 12	250 / 75 - 12	
	3.3	Tyre size, rear	6.50 - 10	6.50 - 10	225 / 75 - 10 (23 × 9 - 10)	225 / 75 - 10 (23 × 9 - 10)	
	3.5	Wheels, number front/rear (x = driven)	2x/2	2x/2	2x/2	2x/2	
	3.6	Track width, front	b10 (mm)	972	972	1008	1008
	3.7	Track width, rear	b11 (mm)	961	961	961	961
Dimensions	4.1	Mast/fork carriage tilt, forward/backward	a/b (°)	5.0/8.0	5.0/8.0	5.0/8.0	5.0/8.0
	4.2	Height of mast, lowered	h1 (mm)	2288	2288	2330	2330
	4.3	Free lift	h2 (mm)	150	150	150	150
	4.4	Lift	h3 (mm)	3230	3230	3295	3295
	4.5	Height of mast, extended	h4 (mm)	3901	3901	4061	4061
	4.7	Height of overhead guard (cabin)	h6 (mm)	2275	2275	2322	2322
	4.8	Height of seat/stand on platform	h7 (mm)	1074	1074	1119	1119
	4.12	Towing coupling height	h10 (mm)	621	621	668	643
	4.19	Overall length	l1 (mm)	3659	3699	3738	3756
	4.20	Length to fork face	l2 (mm)	2659	2699	2738	2756
	4.21	Overall width	b1/b2 (mm)	1180/1176	1180/1176	1256/1176	1256/1176
	4.22	Fork dimensions DIN ISO 2331	s/e/l (mm)	45 × 100 × 1000	45 × 100 × 1000	45 × 100 × 1000	45 × 100 × 1000
	4.23	Fork carriage to ISO 2328, class/type A, B		2A	2A	2A	3A
	4.24	Width of fork carriage	b3 (mm)	1150	1150	1150	1150
	4.31	Ground clearance, below mast	m1 (mm)	121	121	124	123
	4.32	Ground clearance, centre of wheelbase	m2 (mm)	130	130	177	176
	4.34.1	Aisle width for pallets 1000 × 1200 crossways	Ast (mm)	3990 ¹⁾	4032 ¹⁾	4071 ¹⁾	4090 ¹⁾
4.34.2	Aisle width with pallet 800 × 1200 along forks	Ast (mm)	4190 ¹⁾	4232 ¹⁾	4271 ¹⁾	4290 ¹⁾	
4.35	Turning radius	Wa (mm)	2373	2415	2415	2441	
4.36	Minimum pivoting point distance	b13 (mm)	645	659	659	668	
Performance	5.1	Travel speed, with/without load	(km/h)	22/22	22/22	22/22	22/22
	5.2	Lifting speed, with/without load	(m/s)	0.53/0.55	0.53/0.55	0.53/0.56	0.53/0.56
	5.3	Lowering speed, with/without load	(m/s)	0.56/0.56	0.56/0.56	0.56/0.56	0.56/0.56
	5.5	Tractive force, with/without load	(N)	14.553/14.330	14.420/14.575	19.722/16.611	19.593/17.132
	5.7	Climbing ability, with/without load	(%)	28.0/34.0	24.0/31.0	32.0/33.0	27.0/30.0
	5.9	Acceleration time, with/without load	(s)	5.6/5.1	5.8/5.1	5.4/4.6	5.6/4.7
	5.10	Service brake		hydrostatic	hydrostatic	hydrostatic	hydrostatic
	7.1	Engine manufacturer/type		Deutz TCD 2.2 L3	Deutz TCD 2.2 L3	Deutz TCD 2.2 L3	Deutz TCD 2.2 L3
Drive	7.2	Engine performance according to DIN ISO 1585	(kW)	30	30	45	45
	7.3	Rated speed	(1/min)	2300	2300	2100	2100
	7.4	Number of cylinders/displacement	(-/cm ³)	3/2194	3/2194	3/2194	3/2194
	7.5 c	Fuel consumption in accordance with EN 16796	(l/h)	2.5	2.7	2.9	3.0
	7.5 d	Fuel consumption in accordance with EN 16796	(kg/h)				
	7.5.1	CO2 equivalent according to EN 16796	(kg/h)	7.9	8.6	9.2	9.5
Others	8.1	Type of drive unit		hydrostatic/stepless	hydrostatic/stepless	hydrostatic/stepless	hydrostatic/stepless
	10.1	Operating pressure for attachments	(bar)	200	230	200	225
	10.2	Oil flow for attachments	(l/min)	50	50	50	50
	10.7	Sound pressure level Lp(AZ at the driver's seat)	(dB(A))	79	79	79	79
	10.8	Towing coupling, design/type, DIN 15 170		similar to form H	similar to form H	similar to form H	similar to form H

1) Including a 200 mm operating aisle clearance

2) With full cabin

TECHNICAL DATA (According to VDI 2198)

	Characteristics						
	1.1	Manufacturer	Linde	Linde	Linde	Linde	
	1.2	Model	H35 D	H20 / 600 T	H25 T	H25 / 600 T	
Characteristics	1.3	Power unit	Diesel	LPG	LPG	LPG	
	1.4	Operation	Seat	Seat	Seat	Seat	
	1.5	Load capacity/Load	Q (t)	3.5	2	2.5	2.5
	1.6	Load centre distance	c (mm)	500	600	500	600
	1.8	Axle centre to fork face	x (mm)	453.50	416.50	416.50	455.50
	1.9	Wheelbase	y (mm)	1965	1865	1905	1905
	Weights	2.1	Service weight	(kg)	4978	3712	3891
2.2		Axle load with load, front/rear	(kg)	7487 / 991	4885 / 827	5528 / 863	5970 / 983
2.3		Axle load without load, front/rear	(kg)	2289 / 2689	1795 / 1917	1825 / 2066	2085 / 2368
Wheels/Tyres	3.1	Tyres rubber, SE, pneumatic, polyurethane	SE	SE	SE	SE	
	3.2	Tyre size, front	250 / 75 - 12	225 / 75 - 10 (23 × 9 - 10)	225 / 75 - 10 (23 × 9 - 10)	250 / 75 - 12	
	3.3	Tyre size, rear	225 / 75 - 10 (23 × 9 - 10)	6.50 - 10	6.50 - 10	225 / 75 - 10 (23 × 9 - 10)	
	3.5	Wheels, number front/rear (x = driven)	2x / 2	2x / 2	2x / 2	2x / 2	
	3.6	Track width, front	b10 (mm)	1008	972	972	1008
	3.7	Track width, rear	b11 (mm)	961	961	961	961
Dimensions	4.1	Mast/fork carriage tilt, forward/backward	a / b (°)	5.0 / 8.0	5.0 / 8.0	5.0 / 8.0	5.0 / 8.0
	4.2	Height of mast, lowered	h1 (mm)	2330	2288	2288	2330
	4.3	Free lift	h2 (mm)	150	150	150	150
	4.4	Lift	h3 (mm)	3295	3230	3230	3295
	4.5	Height of mast, extended	h4 (mm)	4061	3901	3901	4061
	4.7	Height of overhead guard (cabin)	h6 (mm)	2322	2275	2275	2322
	4.8	Height of seat/stand on platform	h7 (mm)	1119	1074	1074	1119
	4.12	Towing coupling height	h10 (mm)	643	621	621	668
	4.19	Overall length	l1 (mm)	3796	3659	3699	3738
	4.20	Length to fork face	l2 (mm)	2796	2659	2699	2738
	4.21	Overall width	b1 / b2 (mm)	1256 / 1176	1180 / 1176	1180 / 1176	1256 / 1176
	4.22	Fork dimensions DIN ISO 2331	s / e / l (mm)	50 × 120 × 1000	45 × 100 × 1000	45 × 100 × 1000	45 × 100 × 1000
	4.23	Fork carriage to ISO 2328, class / type A, B		3A	2A	2A	2A
	4.24	Width of fork carriage	b3 (mm)	1150	1150	1150	1150
	4.31	Ground clearance, below mast	m1 (mm)	121	121	121	124
	4.32	Ground clearance, centre of wheelbase	m2 (mm)	175	130	130	177
4.34.1	Aisle width for pallets 1000 × 1200 crossways	Ast (mm)	4132 ¹⁾	3990 ¹⁾	4032 ¹⁾	4071 ¹⁾	
4.34.2	Aisle width with pallet 800 × 1200 along forks	Ast (mm)	4332 ¹⁾	4190 ¹⁾	4232 ¹⁾	4271 ¹⁾	
4.35	Turning radius	Wa (mm)	2478	2373	2415	2415	
4.36	Minimum pivoting point distance	b13 (mm)	680	645	659	659	
Performance	5.1	Travel speed, with / without load	(km/h)	22 / 22	22 / 22	22 / 22	22 / 22
	5.2	Lifting speed, with / without load	(m/s)	0.53 / 0.56	0.53 / 0.55	0.53 / 0.55	0.53 / 0.56
	5.3	Lowering speed, with / without load	(m/s)	0.56 / 0.56	0.56 / 0.56	0.56 / 0.56	0.56 / 0.56
	5.5	Tractive force, with / without load	(N)	19.428 / 17.973	14.558 / 14.089	14.425 / 14.331	19.727 / 16.364
	5.7	Climbing ability, with / without load	(%)	27.0 / 30.0	28.0 / 34.0	24.0 / 31.0	32.0 / 33.0
	5.9	Acceleration time, with / without load	(s)	5.8 / 4.9	5.4 / 4.7	5.6 / 4.7	5.8 / 5.0
	5.10	Service brake		hydrostatic	hydrostatic	hydrostatic	hydrostatic
	7.1	Engine manufacturer / type		Deutz TCD 2.2 L3	Deutz G 2.2 L3	Deutz G 2.2 L3	Deutz G 2.2 L3
Drive	7.2	Engine performance according to DIN ISO 1585	(kW)	45	36.4	36.4	40
	7.3	Rated speed	(1 / min)	2100	2300	2300	2600
	7.4	Number of cylinders / displacement	(- / cm ³)	3 / 2194	3 / 2194	3 / 2194	3 / 2194
	7.5 c	Fuel consumption in accordance with EN 16796	(l / h)	3.1			
	7.5 d	Fuel consumption in accordance with EN 16796	(kg / h)		2.3	2.5	2.7
	7.5.1	CO2 equivalent according to EN 16796	(kg / h)	9.9	7.8	8.5	9.2
Others	8.1	Type of drive unit		hydrostatic / stepless	hydrostatic / stepless	hydrostatic / stepless	hydrostatic / stepless
	10.1	Operating pressure for attachments	(bar)	245	200	230	200
	10.2	Oil flow for attachments	(l / min)	50	50	50	50
	10.7	Sound pressure level LpAZ (at the driver's seat)	(dB(A))	79	79	79	79
	10.8	Towing coupling, design / type, DIN 15 170		similar to form H	similar to form H	similar to form H	similar to form H

1) Including a 200 mm operating aisle clearance

2) With full cabin

TECHNICAL DATA (According to VDI 2198)

	Characteristics						
	1.1	Manufacturer	Linde	Linde	LINDE	LINDE	
	1.2	Model	H30 T	H35 T	H35 D Container	H35 D Beverage	
Characteristics	1.3	Power unit	LPG	LPG	Diesel	Diesel	
	1.4	Operation	Seat	Seat	Seat	Seat	
	1.5	Load capacity/Load	Q (t)	3	3.5	3.5	3.5
	1.6	Load centre distance	c (mm)	500	500	500	500
	1.8	Axle centre to fork face	x (mm)	448.50	453.50	453.5	453.5
	1.9	Wheelbase	y (mm)	1930	1965	1965	1965
	Weights	2.1	Service weight	(kg)	4609	4952	4950
2.2		Axle load with load, front/rear	(kg)	6626/983	7456/996	7458/992	7667/1135
2.3		Axle load without load, front/rear	(kg)	2152/2457	2258/2694	2260/2690	2469/2833
Wheels/Tyres	3.1	Tyres rubber, SE, pneumatic, polyurethane	SE	SE	SE	SE	
	3.2	Tyre size, front		250/75 - 12	250/75 - 12	250/75 - 12 (27 × 10 - 12)	250/75 - 12 (27 × 10 - 12)
	3.3	Tyre size, rear		225/75 - 10 (23 × 9 - 10)	225/75 - 10 (23 × 9 - 10)	225/75 - 10 (23 × 9 - 10)	225/75 - 10 (23 × 9 - 10)
	3.5	Wheels, number front/rear (x = driven)		2x/2	2x/2	2x/2	2x/2
	3.6	Track width, front	b10 (mm)	1008	1008	1008	1008
	3.7	Track width, rear	b11 (mm)	961	961	961	961
	Dimensions	4.1	Mast/fork carriage tilt, forward/backward	a/b (°)	5.0/8.0	5.0/8.0	5.0/8.0
4.2		Height of mast, lowered	h1 (mm)	2330	2330	2230	2730
4.3		Free lift	h2 (mm)	150	150	150	150
4.4		Lift	h3 (mm)	3295	3295	3095	4095
4.5		Height of mast, extended	h4 (mm)	4061	4061	3861	4861
4.7		Height of overhead guard (cabin)	h6 (mm)	2322	2322	2222	2722
4.8		Height of seat/stand on platform	h7 (mm)	1119	1119	1119	1519
4.12		Towing coupling height	h10 (mm)	643	643	643	643
4.19		Overall length	l1 (mm)	3756	3796	3796	3796
4.20		Length to fork face	l2 (mm)	2756	2796	2796	2796
4.21		Overall width	b1/b2 (mm)	1256/1176	1256/1176	1256/1176	1256/1176
4.22		Fork dimensions DIN ISO 2331	s/e/l (mm)	45 × 100 × 1000	50 × 120 × 1000	50 × 120 × 1000	50 × 120 × 1000
4.23		Fork carriage to ISO 2328, class/type A, B		3A	3A	3A	3A
4.24		Width of fork carriage	b3 (mm)	1150	1150	1150	1150
4.31		Ground clearance, below mast	m1 (mm)	123	121	121	120
4.32		Ground clearance, centre of wheelbase	m2 (mm)	176	175	175	174
4.34.1		Aisle width for pallets 1000 × 1200 crossways	Ast (mm)	4090 ¹⁾	4132 ¹⁾	4132 ¹⁾	4132 ¹⁾
4.34.2	Aisle width with pallet 800 × 1200 along forks	Ast (mm)	4290 ¹⁾	4332 ¹⁾	4332 ¹⁾	4332 ¹⁾	
4.35	Turning radius	Wa (mm)	2441	2478	2478	2478	
4.36	Minimum pivoting point distance	b13 (mm)	668	680	680	680	
Performance	5.1	Travel speed, with/without load	(km/h)	22/22	22/22	22/22	22/22
	5.2	Lifting speed, with/without load	(m/s)	0.53/0.56	0.45/0.56	0.53/0.56	0.53/0.55
	5.3	Lowering speed, with/without load	(m/s)	0.56/0.56	0.56/0.56	0.56/0.56	0.56/0.52
	5.5	Tractive force, with/without load	(N)	19.598/16.886	19.433/17.721	19.350/19.900	19.430/17.770
	5.7	Climbing ability, with/without load	(%)	27.0/30.0	27.0/30.0	22.9/28.4	24.1/28.4
	5.9	Acceleration time, with/without load	(s)	5.8/5.0	5.9/5.0	5.8/4.9	5.8/4.9
	5.10	Service brake		hydrostatic	hydrostatic	hydrostatic	hydrostatic
Drive	7.1	Engine manufacturer/type		Deutz G 2.2 L3	Deutz G 2.2 L3	Deutz TCD 2.2 L3	Deutz TCD 2.2 L3
	7.2	Engine performance according to DIN ISO 1585	(kW)	40	40	45	45
	7.3	Rated speed	(1/min)	2600	2600	2100	2100
	7.4	Number of cylinders/displacement	(-/cm ³)	3/2194	3/2194	3.0/2194	3.0/2194
	7.5 c	Fuel consumption in accordance with EN 16796	(l/h)			3.1	3.1
	7.5 d	Fuel consumption in accordance with EN 16796	(kg/h)	2.8	2.9		
7.5.1	CO2 equivalent according to EN 16796	(kg/h)	9.5	9.8	9.9	9.9	
Others	8.1	Type of drive unit		hydrostatic/stepless	hydrostatic/stepless	hydrostatic/stepless	hydrostatic/stepless
	10.1	Operating pressure for attachments	(bar)	225	245	245	245
	10.2	Oil flow for attachments	(l/min)	50	50	50	50
	10.7	Sound pressure level Lp(AZ at the driver's seat)	(dB(A))	79	79	79	79
	10.8	Towing coupling, design/type, DIN 15 170		similar to form H	similar to form H	similar to form H	similar to form H

1) Including a 200 mm operating aisle clearance

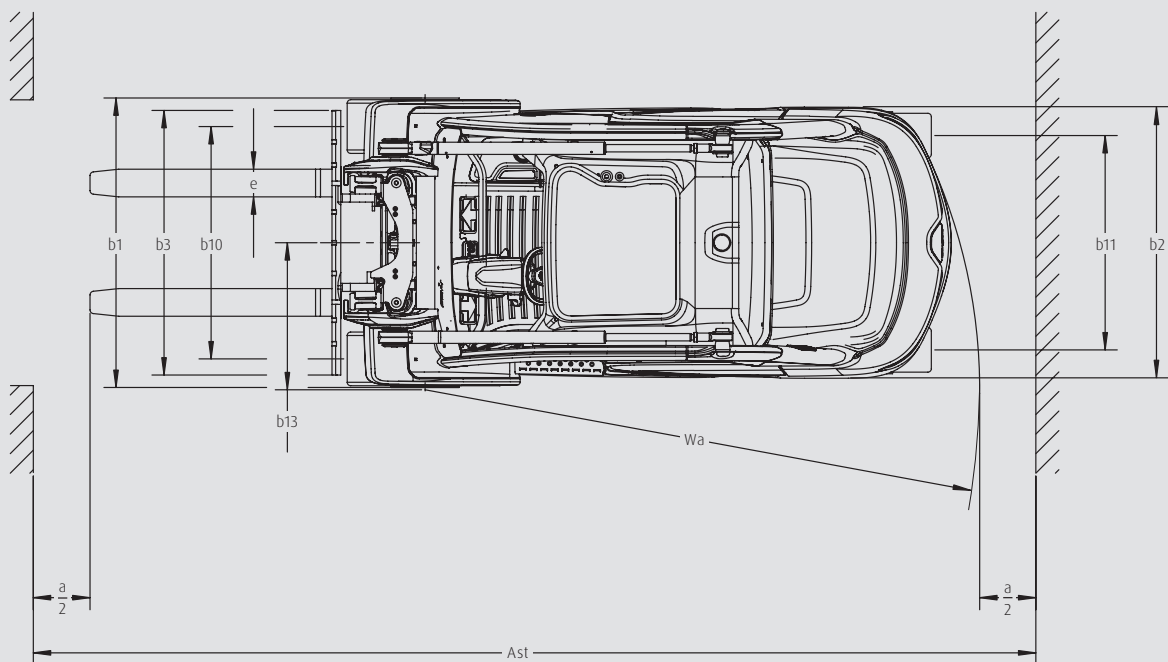
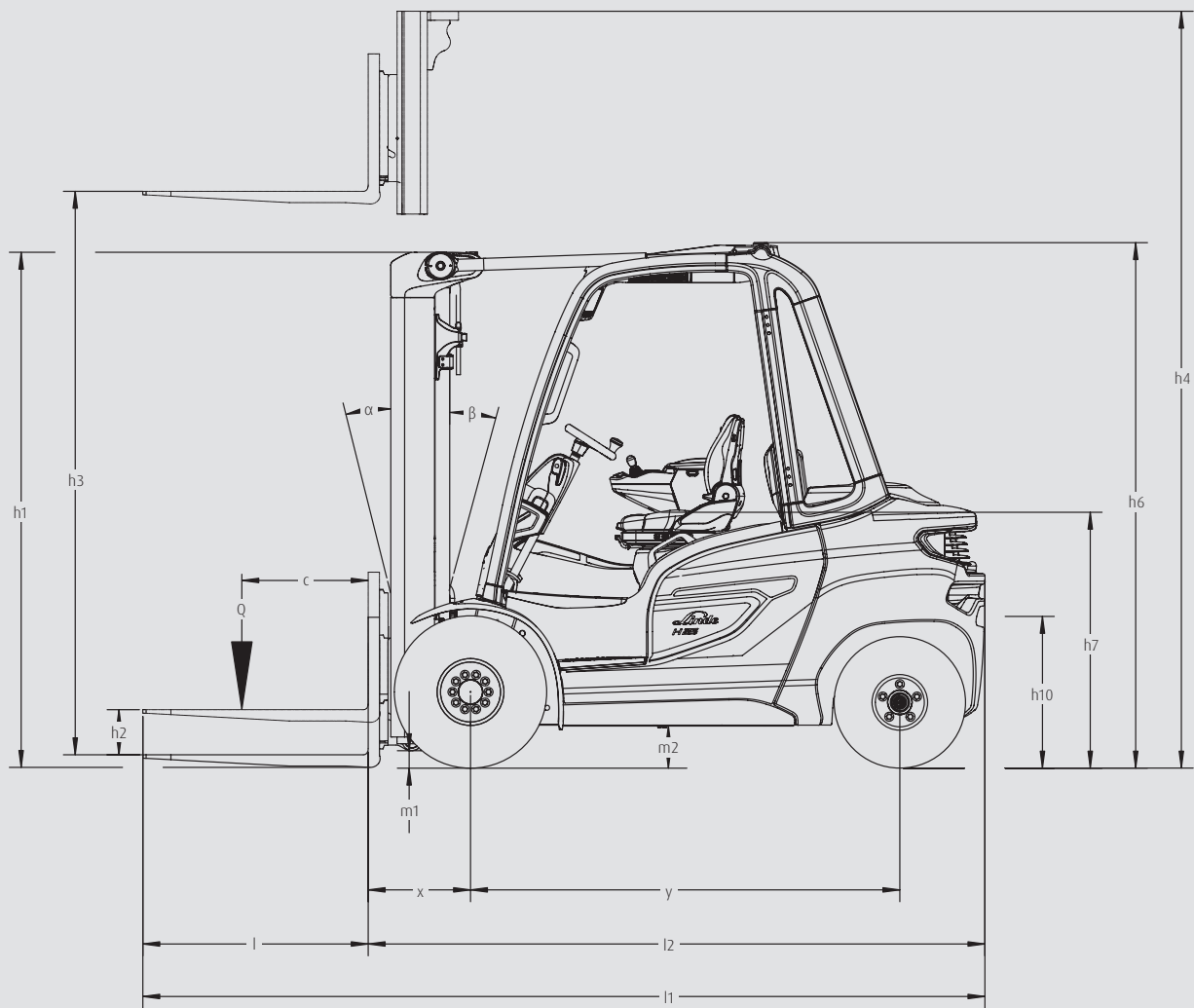
2) With full cabin

TECHNICAL DATA (According to VDI 2198)

Characteristics	1.1	Manufacturer		LINDE
	1.2	Model		H35 CNG
	1.3	Power unit		CNG
	1.4	Operation		Seat
	1.5	Load capacity/ Load	Q (t)	3.5
	1.6	Load centre distance	c (mm)	500
	1.8	Axle centre to fork face	x (mm)	453.5
	1.9	Wheelbase	y (mm)	1965
Weights	2.1	Service weight	(kg)	5016
	2.2	Axle load with load, front/rear	(kg)	7460/1056
	2.3	Axle load without load, front/rear	(kg)	2262/2754
Wheels/Tyres	3.1	Tyres rubber, SE, pneumatic, polyurethane		SE
	3.2	Tyre size, front		250/75 - 12 (27 × 10 - 12)
	3.3	Tyre size, rear		225/75 - 10 (23 × 9 - 10)
	3.5	Wheels, number front/rear (x = driven)		2x/2
	3.6	Track width, front	b10 (mm)	1008
	3.7	Track width, rear	b11 (mm)	961
Dimensions	4.1	Mast/fork carriage tilt, forward/backward	a/b (°)	5.0/8.0v
	4.2	Height of mast, lowered	h1 (mm)	2330
	4.3	Free lift	h2 (mm)	150
	4.4	Lift	h3 (mm)	3295
	4.5	Height of mast, extended	h4 (mm)	4061
	4.7	Height of overhead guard (cabin)	h6 (mm)	2322
	4.8	Height of seat/stand on platform	h7 (mm)	1119
	4.12	Towing coupling height	h10 (mm)	643
	4.19	Overall length	l1 (mm)	3796
	4.20	Length to fork face	l2 (mm)	2796
	4.21	Overall width	b1/b2 (mm)	1256/1176
	4.22	Fork dimensions DIN ISO 2331	s/e/l (mm)	50 × 120 × 1000
	4.23	Fork carriage to ISO 2328, class/type A, B		3A
	4.24	Width of fork carriage	b3 (mm)	1150
	4.31	Ground clearance, below mast	m1 (mm)	121
	4.32	Ground clearance, centre of wheelbase	m2 (mm)	175
	4.34.1	Aisle width for pallets 1000 × 1200 crossways	Ast (mm)	4132 ¹⁾
	4.34.2	Aisle width with pallet 800 × 1200 along forks	Ast (mm)	4332 ¹⁾
4.35	Turning radius	Wa (mm)	2478	
4.36	Minimum pivoting point distance	b13 (mm)	680	
Performance	5.1	Travel speed, with/without load	(km/h)	22/22
	5.2	Lifting speed, with/without load	(m/s)	0.45/0.56
	5.3	Lowering speed, with/without load	(m/s)	0.56/0.56
	5.5	Tractive force, with/without load	(N)	19-420/17.760
	5.7	Climbing ability, with/without load	(%)	23.9/27.8
	5.9	Acceleration time, with/without load	(s)	6.0/5.0
	5.10	Service brake		hydrostatic
Drive	7.1	Engine manufacturer/type		Deutz G 2.2 L3
	7.2	Engine performance according to DIN ISO 1585	(kW)	36.2
	7.3	Rated speed	(1/min)	2600
	7.4	Number of cylinders/displacement	(-/cm ³)	3.0/2194
	7.5 c	Fuel consumption in accordance with EN 16796	(l/h)	3.2
	7.5 d	Fuel consumption in accordance with EN 16796	(kg/h)	4.38 (H); 3.89 (L)
7.5.1	CO2 equivalent according to EN 16796	(kg/h)	10	
Others	8.1	Type of drive unit		hydrostatic/stepless
	10.1	Operating pressure for attachments	(bar)	245
	10.2	Oil flow for attachments	(l/min)	50
	10.7	Sound pressure level LpAZ (at the driver's seat)	(dB(A))	79 ²⁾
	10.8	Towing coupling, design/type, DIN 15 170		similar to form H

1) Including a 200 mm operating aisle clearance

2) With full cabin



Safety distance $a = 200 \text{ mm}$

MAST TABLES

STANDARD MAST (in mm)

Series	1532													
Lift	h3: 3030		h3: 3230		h3: 3430		h3: 3730		h3: 4030		h3: 4530		h3: 5030	
Height measurements	h1: 2187 h4: 3702	h2: 150	h1: 2287 h4: 3902	h2: 150	h1: 2387 h4: 4102	h2: 150	h1: 2537 h4: 4402	h2: 150	h1: 2687 h4: 4702	h2: 150	h1: 2937 h4: 5202	h2: 150	h1: 3187 h4: 5702	h2: 150
Model														
H20/600	<input type="radio"/>		<input type="radio"/>		<input type="radio"/>		<input type="radio"/>		<input type="radio"/>		<input type="radio"/>		<input type="radio"/>	
H25	<input type="radio"/>		<input type="radio"/>		<input type="radio"/>		<input type="radio"/>		<input type="radio"/>		<input type="radio"/>		<input type="radio"/>	

Series	1533													
Lift	h3: 3095		h3: 3295		h3: 3395		h3: 3695		h3: 3995		h3: 4495		h3: 4995	
Height measurements	h1: 2224 h4: 3856	h2: 150	h1: 2324 h4: 4056	h2: 150	h1: 2374 h4: 4156	h2: 150	h1: 2524 h4: 4456	h2: 150	h1: 2674 h4: 4756	h2: 150	h1: 2924 h4: 5256	h2: 150	h1: 3174 h4: 5756	h2: 150
Model														
H25/600	<input type="radio"/>		<input type="radio"/>		<input type="radio"/>		<input type="radio"/>		<input type="radio"/>		<input type="radio"/>		<input type="radio"/>	
H30	<input type="radio"/>		<input type="radio"/>		<input type="radio"/>		<input type="radio"/>		<input type="radio"/>		<input type="radio"/>		<input type="radio"/>	
H35	<input type="radio"/>		<input type="radio"/>		<input type="radio"/>		<input type="radio"/>		<input type="radio"/>		<input type="radio"/>		<input type="radio"/>	

DUPLEX MAST (in mm)

Series	1532					1533												
Lift	h3: 3100		h3: 3300		h3: 3400		h3: 3800		h3: 4100		h3: 3165		h3: 3365		h3: 3765		h3: 4065	
Height measurements	h1: 2134 h2: 1444 h4: 3791		h1: 2234 h2: 1544 h4: 3991		h1: 2284 h2: 1594 h4: 4091		h1: 2484 h2: 1794 h4: 4491		h1: 2634 h2: 1944 h4: 4791		h1: 2179 h2: 1394 h4: 3951		h1: 2279 h2: 1494 h4: 4151		h1: 2479 h2: 1694 h4: 4551		h1: 2629 h2: 1844 h4: 4851	
Model																		
H20/600	<input type="radio"/>		<input type="radio"/>		<input type="radio"/>		<input type="radio"/>		<input type="radio"/>		–		–		–		–	
H25	<input type="radio"/>		<input type="radio"/>		<input type="radio"/>		<input type="radio"/>		<input type="radio"/>		–		–		–		–	
H25/600	–		–		–		–		–		<input type="radio"/>		<input type="radio"/>		<input type="radio"/>		<input type="radio"/>	
H30	–		–		–		–		–		<input type="radio"/>		<input type="radio"/>		<input type="radio"/>		<input type="radio"/>	
H35	–		–		–		–		–		<input type="radio"/>		<input type="radio"/>		<input type="radio"/>		<input type="radio"/>	

TRIPLEX MAST (in mm)

Series	1532											
Lift	h3: 4610		h3: 4910		h3: 5060		h3: 5560		h3: 6010		h3: 6510	
Height measurements	h1: 2134 h4: 5299	h2: 1444	h1: 2234 h4: 5599	h2: 1544	h1: 2284 h4: 5749	h2: 1594	h1: 2484 h4: 6249	h2: 1794	h1: 2634 h4: 6699	h2: 1944	h1: 2834 h4: 7199	h2: 2144
Model												
H20/600	<input type="radio"/>		<input type="radio"/>		<input type="radio"/>		<input type="radio"/>		<input type="radio"/>		<input type="radio"/>	
H25	<input type="radio"/>		<input type="radio"/>		<input type="radio"/>		<input type="radio"/>		<input type="radio"/>		<input type="radio"/>	

Series	1533											
Lift	h3: 4680		h3: 4980		h3: 5330		h3: 5930		h3: 6430		h3: 6880	
Height measurements	h1: 2179 h4: 5464	h2: 1394	h1: 2279 h4: 5764	h2: 1494	h1: 2429 h4: 6114	h2: 1644	h1: 2629 h4: 6714	h2: 1844	h1: 2829 h4: 7214	h2: 2044	h1: 2979 h4: 7664	h2: 2194
Model												
H25/600	<input type="radio"/>		<input type="radio"/>		<input type="radio"/>		<input type="radio"/>		<input type="radio"/>		<input type="radio"/>	
H30	<input type="radio"/>		<input type="radio"/>		<input type="radio"/>		<input type="radio"/>		<input type="radio"/>		<input type="radio"/>	
H35	<input type="radio"/>		<input type="radio"/>		<input type="radio"/>		<input type="radio"/>		<input type="radio"/>		<input type="radio"/>	

Optional equipment

– Not available

h1: Height of mast, lowered

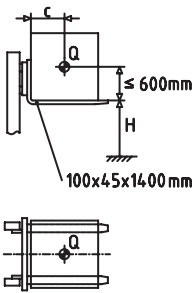
h2: Free lift

h3: Lift

h4: Height of mast, extended

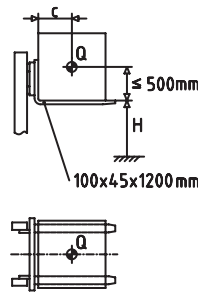
LOAD CAPACITY

H20 / 600



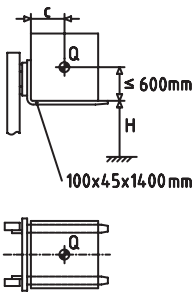
H (mm)	Q (kg)				
6800	1300	1180	1090	1000	
6700	1380	1250	1150	1060	
6600	1460	1330	1220	1120	
6500	1530	1400	1250	1180	
6400	1610	1470	1350	1240	
6300	1690	1540	1410	1300	
6200	1770	1610	1480	1360	
6100	1840	1680	1540	1420	
6000	1920	1750	1610	1480	
≤ 5900	2000	1820	1670	1540	
c (mm)	400 - 600	700	800	900	

H25



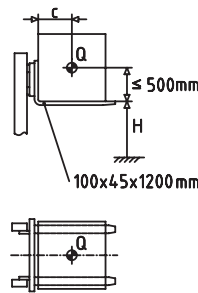
H (mm)	Q (kg)				
6800	1500	1350	1230	1130	
6600	1650	1490	1360	1250	
6400	1810	1630	1480	1360	
6300	1880	1700	1550	1420	
6200	1960	1770	1610	1480	
6100	2040	1840	1670	1540	
6000	2120	1910	1740	1590	
5900	2190	1980	1800	1650	
5800	2270	2050	1860	1710	
5700	2350	2120	1930	1770	
5600	2420	2180	1990	1830	
≤ 5500	2500	2250	2050	1880	
c (mm)	400 - 500	600	700	800	

H25 / 600



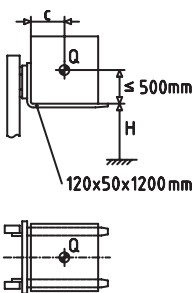
H (mm)	Q (kg)				
7000	1700	1550	1420	1320	
6900	1800	1640	1510	1400	
6800	1900	1730	1590	1470	
6700	2000	1820	1680	1550	
6600	2100	1910	1760	1630	
6500	2200	2000	1840	1710	
6400	2300	2100	1930	1790	
6300	2400	2190	2010	1860	
≤ 6200	2500	2280	2100	1860	
c (mm)	400 - 600	700	800	900	

H30



H (mm)	Q (kg)				
7000	2000	1810	1650	1520	
6900	2100	1900	1730	1600	
6800	2200	1990	1820	1670	
6700	2300	2080	1900	1750	
6600	2400	2170	1980	1820	
6500	2500	2260	2060	1900	
6400	2600	2350	2150	1980	
6300	2700	2440	2230	2050	
6200	2800	2530	2310	2130	
6100	2900	2620	2400	2190	
≤ 6000	3000	2710	2480	2190	
c (mm)	400 - 500	600	700	800	

H35



H (mm)	Q (kg)				
7000	2000	1810	1650	1520	
6800	2220	2010	1840	1690	
6600	2440	2210	2020	1860	
6500	2550	2310	2110	1940	
6400	2660	2410	2200	2020	
6300	2770	2510	2290	2110	
6200	2880	2610	2380	2190	
6100	2990	2700	2470	2270	
6000	3100	2810	2560	2360	
5900	3230	2930	2670	2460	
5800	3370	3050	2780	2560	
≤ 5700	3500	3170	2890	2660	
c (mm)	400 - 500	600	700	800	

H = Lifting height, c = Load centre, Q = Load capacity
Load capacity for standard mast and fork carriage

STANDARD AND OPTIONAL EQUIPMENT

H20-H35 CNG		H20 - H35 D	H20 - H35 T	H20-H35 CNG
Operator Compartment	Ergonomic and save truck access due to a low entry step and handle bar at a-pillar and bonnet	●	●	●
	Innovative decoupling concept for lowest human vibrations	●	●	●
	Tilt adjustable steering column	●	●	●
	Overhead guard comfort for max. head clearance	●	●	●
	Operator's seat – mechanical quick weight adjustment	●	●	●
	Various seating options such as heating, air suspension, active seat ventilation, longitudinal suspension	○	○	○
	Operators seat – Swiveling seat	○	○	○
	Coloured 3.5" LED display with steering angle indicator and tilt angle indicator	●	●	●
	Coloured 7" LED multifunction display integrates additional functions e.g. cameras and Linde Safety Pilot	○	○	○
	Top screen armored glass	○	○	○
	Alloy doors with openable window	○	○	○
	Din A4 illuminated clipboard	○	○	○
	Warm water heater incl. defog function/air conditioning	○	○	○
	Radio, DAB+, MP3 Player incl. bluetooth hands-free equipment	○	○	○
Driving and Lifting	Linde Hydrostatic Drive – for high productivity and low fuel consumption	●	●	●
	Deutz Diesel Engine EU 2016/1628 Stage 5*	●	–	–
	Deutz CNG Engine EU 2016/1628 Stage 5*	–	–	●
	Particel filter, oxidation catalysts, exhaust gas recirculation	●	–	–
	Deutz LPG Engine EU 2016/1628 Stage 5*	–	●	–
	3-Way Catalyst	–	●	●
	LPG tank including fill level indicator in the display	–	○	–
	Engine air filter including safety elements	●	●	●
	Linde Engine Protection System (LEPS) – warning, speed reduction under critical engine conditions	●	●	●
	Hydraulic parking brake	●	●	●
	Oversized, variable displacement pump for lifting function – for low fuel consumption, low noise level and emissions	●	●	●
	Hydraulic filter concept – realizing 6000 hour hydraulic-oil change interval	●	●	●
	Power setting efficiency, economy, performance	●	●	●
	Super Elastic (SE) Tyres	●	●	●
	Closed Shoulder Tyres CS 20	○	○	○
	Pneumatic Tyres	○	○	○
	Antistatic, non marking Tyres	○	○	○
Anti-spray mudflaps front and rear	○	○	○	
Mast	Top mounted tilting cylinders – including maintenance free bearings	●	●	●
	Best visibility through asymmetric, nested mast profiles on standard, duplex, triplex masts	●	●	●
	Electronic damped tilt stop	●	●	●
	Hydraulic accumulator for high driving comfort and less wear	○	○	○
Attachments/ Forks	Reinforced Linde forks – easy ajustable and long life time	○	○	○
	Integrated sideshift with full lift capacity and roller guided	○	○	○
	Integrated fork positioner "View" for high residual capacities and optimized visibility	○	○	○
	Street sweeper preparation	○	○	○
Safety	Linde Curve Assist – automatic drive speed reduction when cornering	●	●	●
	Electrical seat belt monitoring – visual and acoustic feedback	●	●	●
	Linde Load Assist – increased safety at high lift heights	●	●	●
	BlueSpot and TruckSpot – optical warning signal for pedestrians and drivers	○	○	○
	Load weight indicator	○	○	○
	Linde Safety Pilot – load-dependent travel and lifting speed intervention plus additional functions	○	○	○
	Linde Safety Guard – truck to truck warning and truck to pedestrian warning	○	○	○
	Speed limitations (via switch, indoor-outdoor, load depending)	○	○	○
Digitalisation	Restraint systems (different options)	○	○	○
	Data Transmission Online	●	●	●
	Data Transmission Wifi	○	○	○
	Linde connect:desk – local fleet management with different functional modules	○	○	○
	Linde connect:cloud – fleet management as a service (hosted version)	○	○	○
	Pre-Operation-Check – individualizable daily check protocol for operational readiness	○	○	○
Operation/ Load Handling	Truck Call App – coordination of transport orders	○	○	○
	Double pedal control – Stepless acceleration and fast reversing	●	●	●
	Single pedal control – Stepless acceleration	○	○	○
	Linde Load Control – central levers fully integrated in the armrest for precise control of all hydraulic functions	●	●	●
Individual Lever System	○	○	○	

● Standard equipment ○ Optional equipment – Not available

* EU Version

CHARACTERISTICS



Driver workplace

Ergonomics

- Ergonomic and intuitive operating concept maximizes operator comfort
- Components decoupled from the chassis (axles, mast and tilt cylinder) protect against impacts and vibrations
- Large selection of ergonomic seats protects against postural injuries
- 3.5-inch display provides permanent overview of all important information



Linde Load Control

Handling

- Linde Load Control and Dual pedal control guarantee precise control of all driving and mast movements
- Freely programmable buttons in the armrest ensure quick access to frequently used functions
- Overhead tilt cylinders guarantee torsional stability and high residual load capacities at large lifting heights
- Minimised fuel consumption reduces operating costs



All-round visibility

Safety

- Optimised design provides outstanding visibility in all directions
- Roof with narrow cross struts or armored glass makes working easier at large lifting heights
- The truck's low center of gravity and a high-mounted steering axle improves stability while cornering
- Linde Curve Assist and Linde Load Assist reduce the risk of tipping and loading accidents



Easy service access

Service

- Robust construction with low-wear and maintenance-free components ensure high truck availability
- Truck Health Monitoring protects the engine in extreme outdoor temperatures
- Linde Engine Protection System (LEPS) provides additional protection against engine damage
- Extra-large service openings make maintenance easy

Subject to modification in the interest of progress. Illustrations and technical details could include options and not binding for actual constructions. All dimensions subject to usual tolerances.

Linde Material Handling

Linde

Linde Material Handling | 5 Distillers Place | Huntingwood NSW 2148
Phone 1300 135 463 | www.lindemh.com.au